

		Revisions		2091	D
LAL	Rev.	Description	Chk.	Date	Approved
	A	ENGRG RELEASE	RE	9/19/75	J.W.
	B	ITEM 18 WAS SCREW MACH. TRUSS HEAD (B-32 x 1/2); ADDED ITEM 20 SHG (NOT OFFICIALLY RELEASED)	[Signature]	9-24 75	J.W.
	C	SH 6 DELETED ITEM B, ADDED ITEMS 21, 22 & 23	[Signature]	9-24 75	J.W.
	D	M/L ITEM 1 & 2 ADDED PART NO. 209915 & 209916.			[Signature]

**ENGINEERING
RELEASE**

7FD70
-200

10-12-75
Dist. Code **ALT**

<p>These drawings and specifications, and the data contained therein, are the exclusive property of Xerox Corporation and/or Rank Xerox, Ltd. issued in strict confidence and shall not, without the prior written permission of Xerox Corporation or Rank Xerox, Ltd., be reproduced, copied or used for any purpose whatsoever, except the manufacture of articles for Xerox Corporation or Rank Xerox, Ltd.</p>	Notes Unless Specified	Drawn	6-17-75	<p>Xerox Corporation El Segundo, California</p> <p>XEROX</p> <p>ALTO II</p> <p>ASSEMBLY, DISPLAY</p>		
	<p>1. Tolerances .XX ±.030 Angular ±1/2° .XXX ±.010</p> <p>2. Break All Sharp Edges .010 Approx.</p> <p>3. Mach. Surfaces ✓</p> <p>4. All Dim. In Inches</p>	Check	6-19-75			
		Appr.	6/19/75			
		Material				
Model No. First Use	ALTO II	Finish	Code Ident. 18338	Size A	Dwg. No. 209911	Change Letter D
Next Assy. First Use	216362		Scale 1/8 & NOTED	Do Not Scale Drawing		Sheet 1 OF 6

NOTES: UNLESS OTHERWISE SPECIFIED

- 1 ADHERE NAMEPLATE (ITEM 17) ON SURFACE INDICATED, TYPEWRITE PART NUMBER.
2. MARK ALL CONNECTOR PLUGS WITH RESPECTIVE "P" NUMBERS CORRESPONDING TO "J" NUMBERS MARKED ON P.W. BOARD ASSY.
- 3 DISCONNECT CABLES AND REMOVE CATHODE RAY TUBE AND COMPONENT SUBASSEMBLIES FROM EXISTING WIRE FRAME (PART OF ITEM 1), DISCARD WIRE FRAME. INSTALL CRT AND SUBASSEMBLIES IN MONITOR CASE (ITEM 2) AS SHOWN.
- 4 ON HORIZONTAL DRIVE HEATSINK ASSY DRILL .147 DIA HOLES (QTY 2). SEE DETAIL E, SH 5.
- 5 TEMPORARILY REMOVE POWER SUPPLY MOUNTING BRACKET(PART OF ITEM 2) AND INSTALL POWER SUPPLY (PART OF ITEM 1) ON BRACKET. REINSTALL BRACKET TO FRAME.
- 6 REMOVE AND DISCARD PANEL MTG BRACKET (PART OF ITEM 2). INSTALL CONNECTOR PANEL ASSY(ITEM 3) ON BASE OF ITEM 2.
- 7 ROUTE CABLE THRU 7/8 INCH DIA HOLE IN CRT FRAME AND THRU CURVED 1 1/2 INCH WIDE SLOT IN BASE.

These drawings and specifications, and the data contained therein, are the exclusive property of Xerox Corporation and/or Rank Xerox, Ltd. issued in strict confidence and shall not, without the prior written permission of Xerox Corporation or Rank Xerox, Ltd., be reproduced, copied or used for any purpose whatsoever, except the manufacture of articles for Xerox Corporation or Rank Xerox, Ltd.

Title

ALTO II

ASSEMBLY, DISPLAY

Xerox Corporation
El Segundo, California

XEROX

209911

D

Sheet 2 of 6

(CRT COVER) ②

2 REQD ⑮

Δ →

(FRAME) ②

Δ →

2 REQD

⑩
⑬
⑫

⑦
⑥ REF

① ③ REF
(VERTICAL DRIVE UNIT)

② REF
(BASE)

REF ①
(CRT)

← C

② REF
(BEZEL)

← C

These drawings and specifications, and the data contained therein, are the exclusive property of Xerox Corporation and/or Rank Xerox, Ltd. issued in strict confidence and shall not, without the prior written permission of Xerox Corporation or Rank Xerox, Ltd., be reproduced, copied or used for any purpose whatsoever, except the manufacture of articles for Xerox Corporation or Rank Xerox, Ltd.

Title ALTO II

ASSEMBLY, DISPLAY

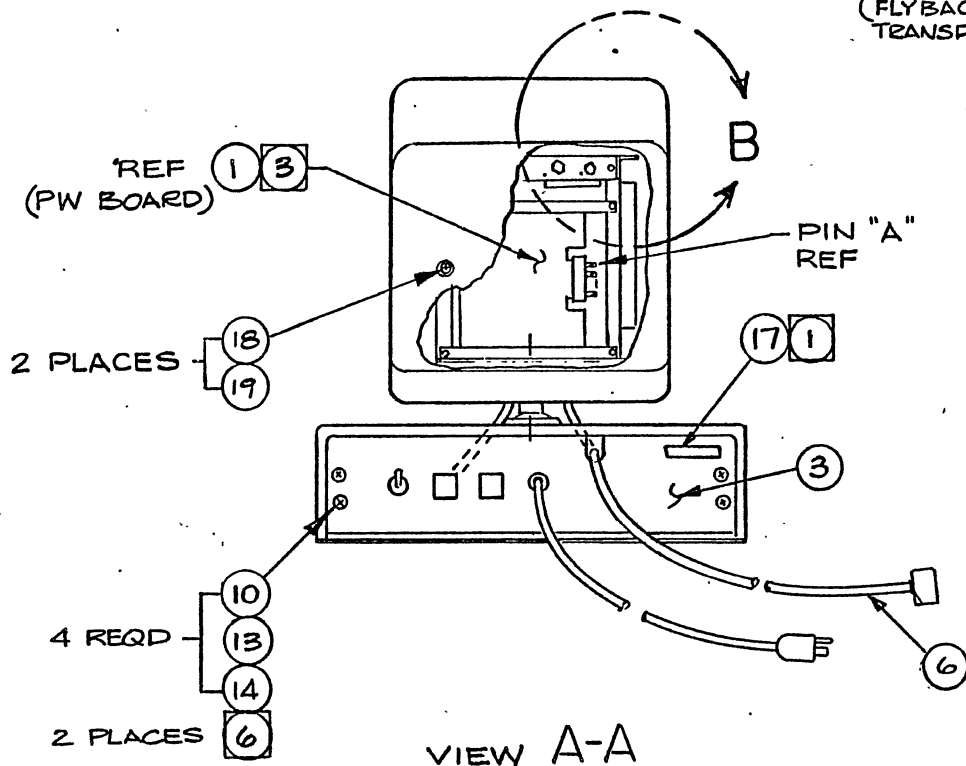
Xerox Corporation
El Segundo, California

XEROX

209911

D

Sheet 3 Of 6

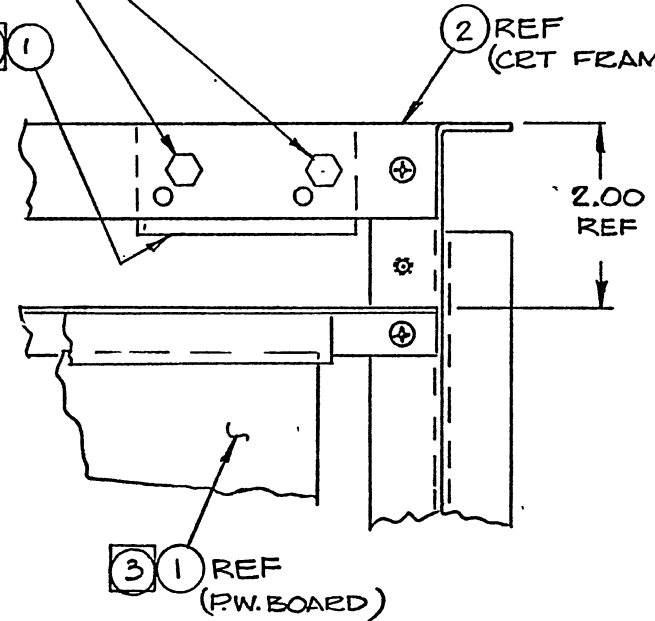


VIEW A-A

ENLARGE HOLES TO .199 DIA
ON CRT FRAME, INSTALL
FLYBACK TRANSFORMER UNIT
WITH ITEM 8.

REF 3 1
(FLYBACK
TRANSFORMER)

2 REF
(CRT FRAME)



DETAIL B
SCALE = 1/2

These drawings and specifications, and the data contained therein, are the exclusive property of Xerox Corporation and/or Rank Xerox, Ltd. issued in strict confidence and shall not, without the prior written permission of Xerox Corporation or Rank Xerox, Ltd., be reproduced, copied or used for any purpose whatsoever, except the manufacture of articles for Xerox Corporation or Rank Xerox, Ltd.

Title ALTO II

.ASSEMBLY, DISPLAY

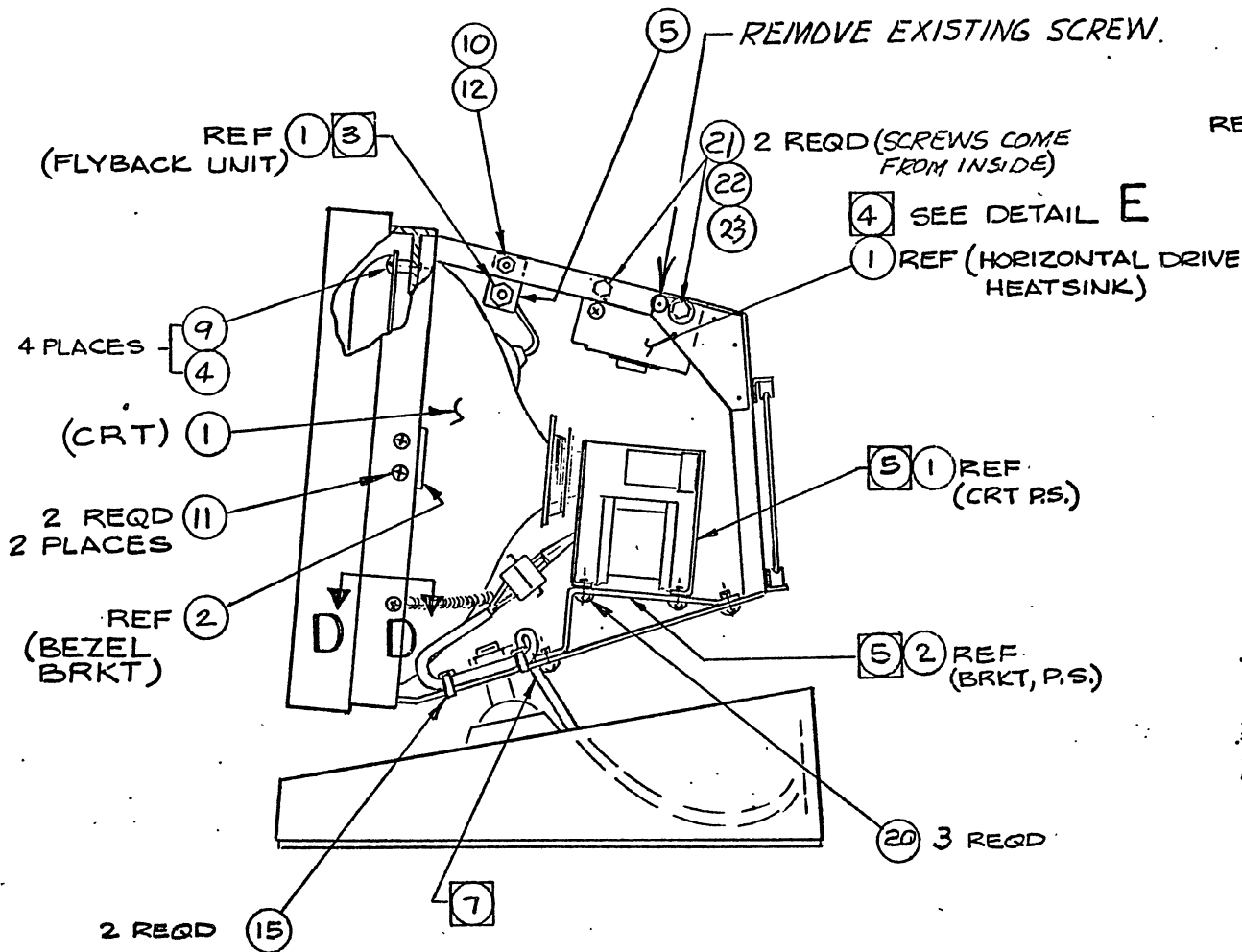
Xerox Corporation
El Segundo, California

XEROX

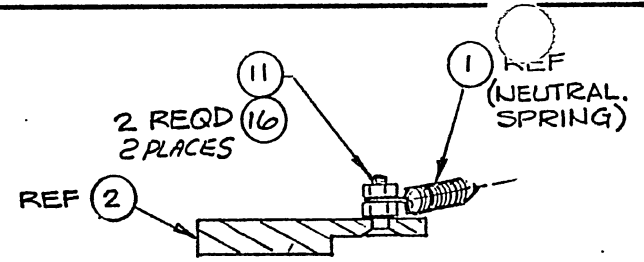
209911

D

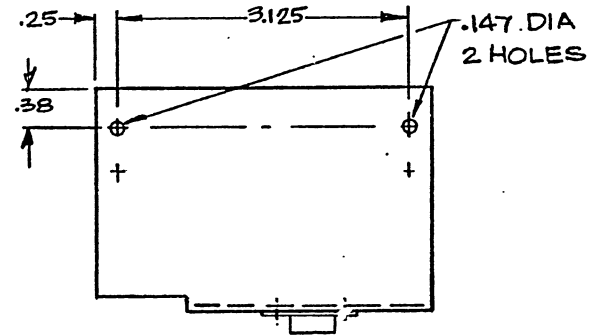
Sheet 4 of 6



VIEW C-C
COVER NOT SHOWN FOR CLARITY
SCALE = NONE



SECTION D-D
SCALE: NONE
TYP 2 PLACES



DETAIL E
SCALE: NONE
(HORIZONTAL DRIVE HEATSINK ASSY)

These drawings and specifications, and the data contained therein, are the exclusive property of Xerox Corporation and/or Rank Xerox, Ltd. issued in strict confidence and shall not, without the prior written permission of Xerox Corporation or Rank Xerox, Ltd., be reproduced, copied or used for any purpose whatsoever, except the manufacture of articles for Xerox Corporation or Rank Xerox, Ltd.

Title
ALTO II
ASSEMBLY, DISPLAY

Xerox Corporation El Segundo, California		XEROX	
209911		D	
Sheet	5	Of	6

